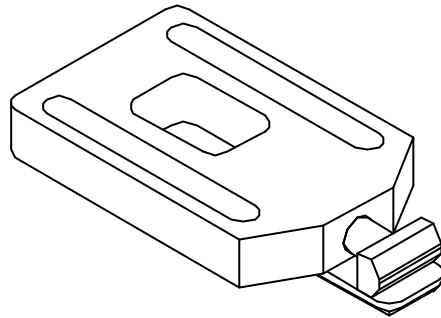
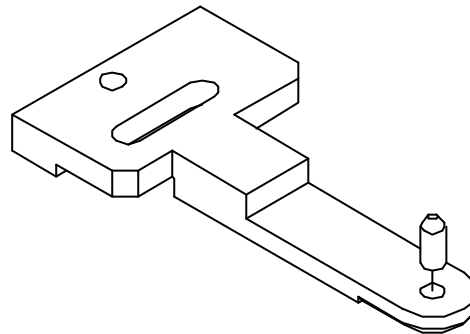


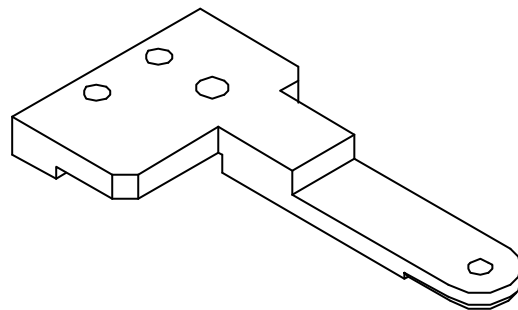
ADJUSTABLE WORKBOARD HOLDER ACCESSORY (UNIVERSAL)



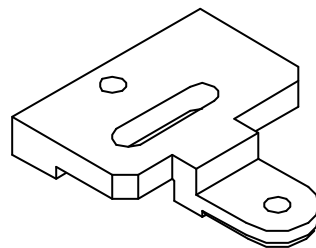
PCB SUPPORT
(SPRING LOADED CLAMP)
S\$120/pc
(SINGLE OR DUAL HEAD)



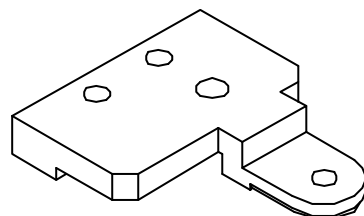
LOCATING PIN
S\$15/pc
(SINGLE OR DUAL HEAD)



LOCATOR ARM (LEFT)
S\$60/pc
(SINGLE HEAD)



LOCATOR ARM (LEFT)
S\$45/pc
(DUAL HEAD)



LOCATOR ARM (RIGHT)
S\$45/pc
(DUAL HEAD)