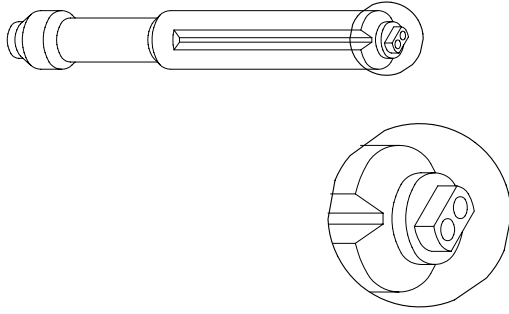
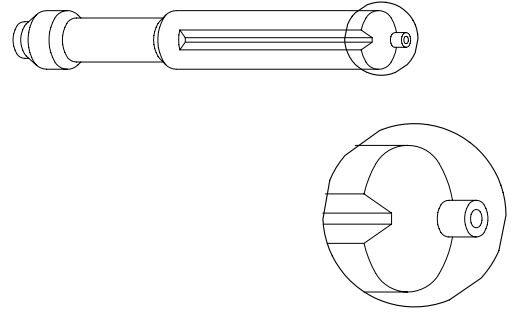


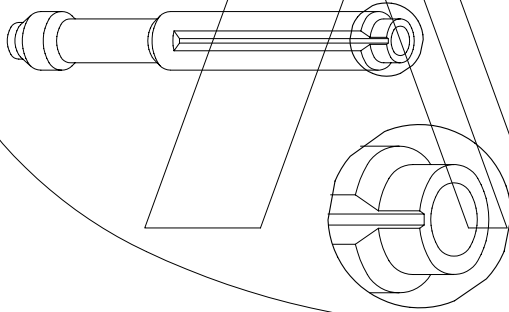
TENRYU PICK UP NOZZLE



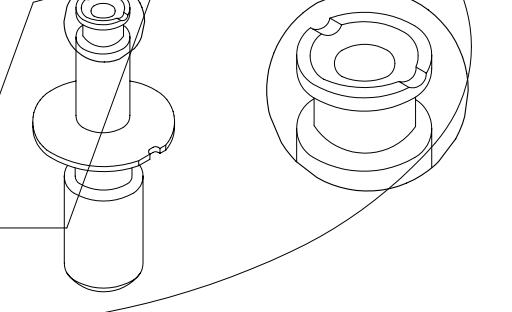
PICK-UP NOZZLE
2 HOLES, ID= ϕ 0.7
PITCH=0.8
TENRYU, MT-5720



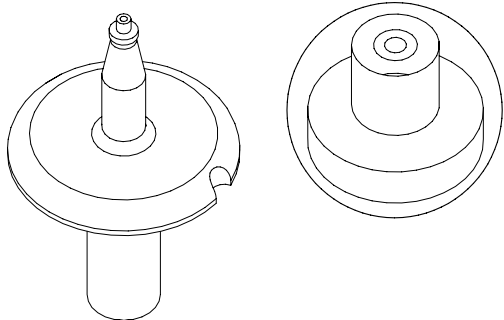
PICK-UP NOZZLE
ID= ϕ 0.5, OD= ϕ 1.0
TENRYU, MT-5720



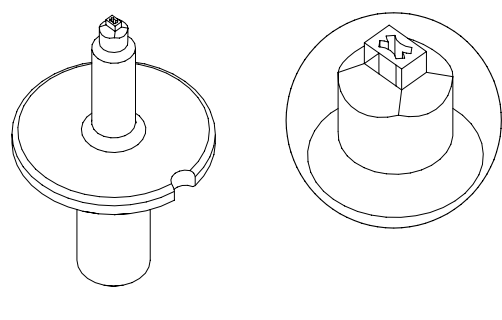
PICK-UP NOZZLE
ID= ϕ 2.0, OD= ϕ 3.0
TENRYU, MT-5720



PICK-UP NOZZLE
ID= ϕ 1.2 OR ϕ 0.7
TENRYU, MT5300#18



PICK-UP NOZZLE
ID= ϕ 0.3, OD= ϕ 1.0
TENRYU, FV7100 (K01)



PICK-UP NOZZLE
TENRYU, I-PULES (M1)