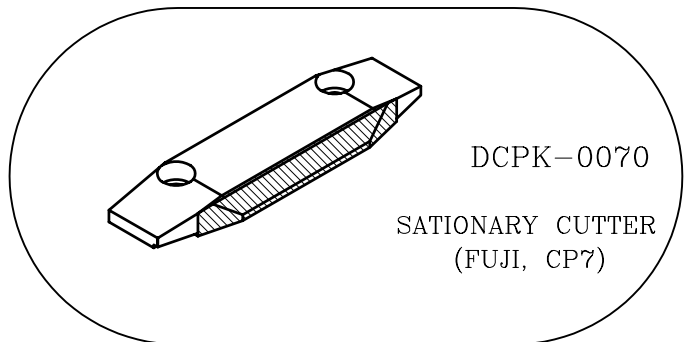
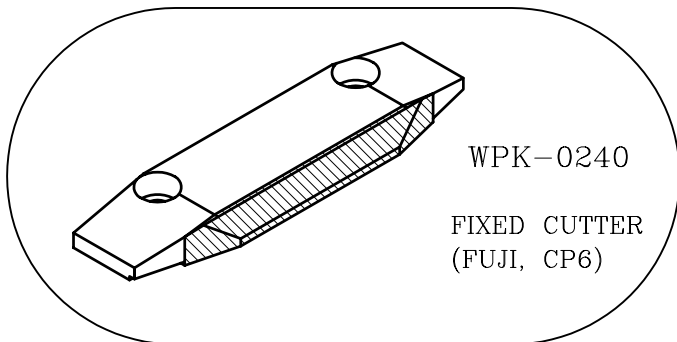
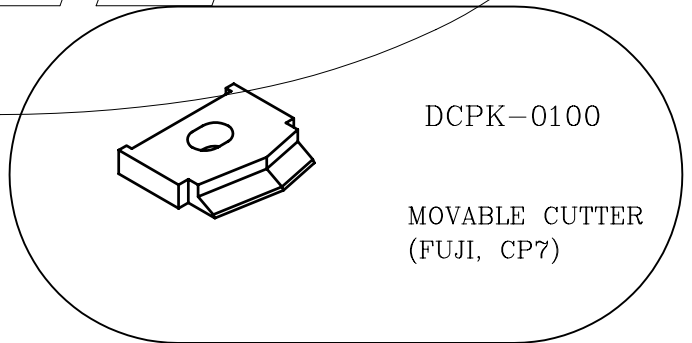
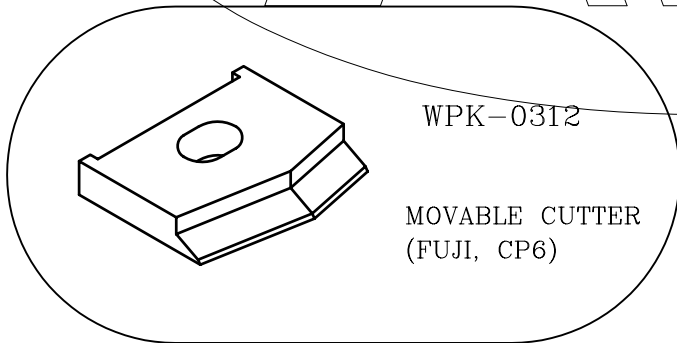
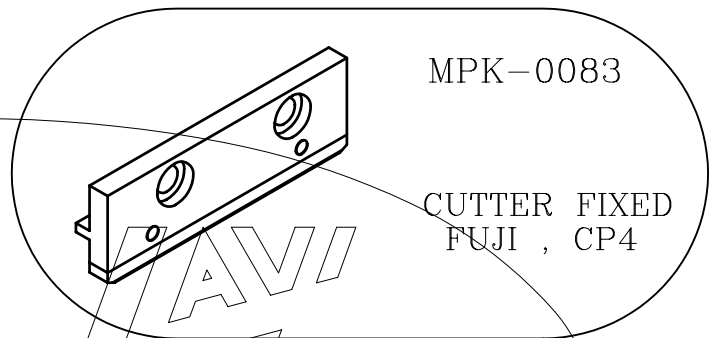
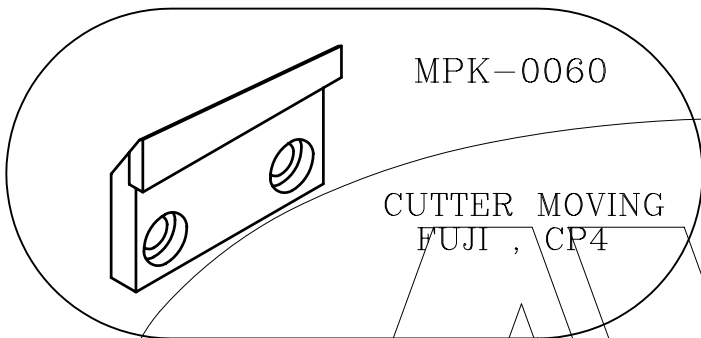
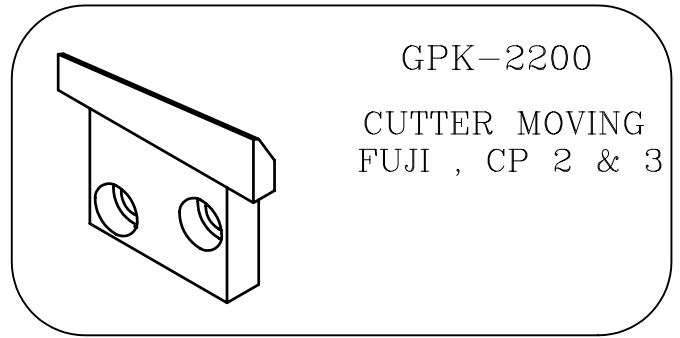
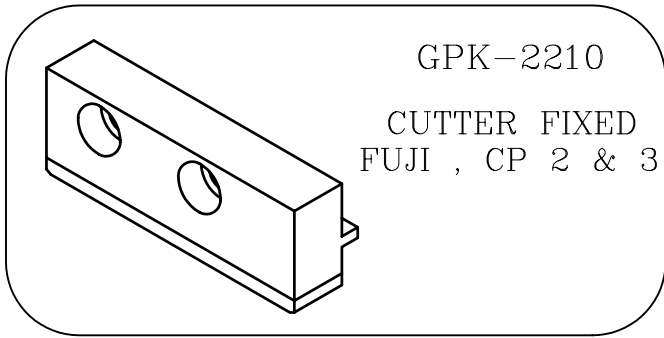
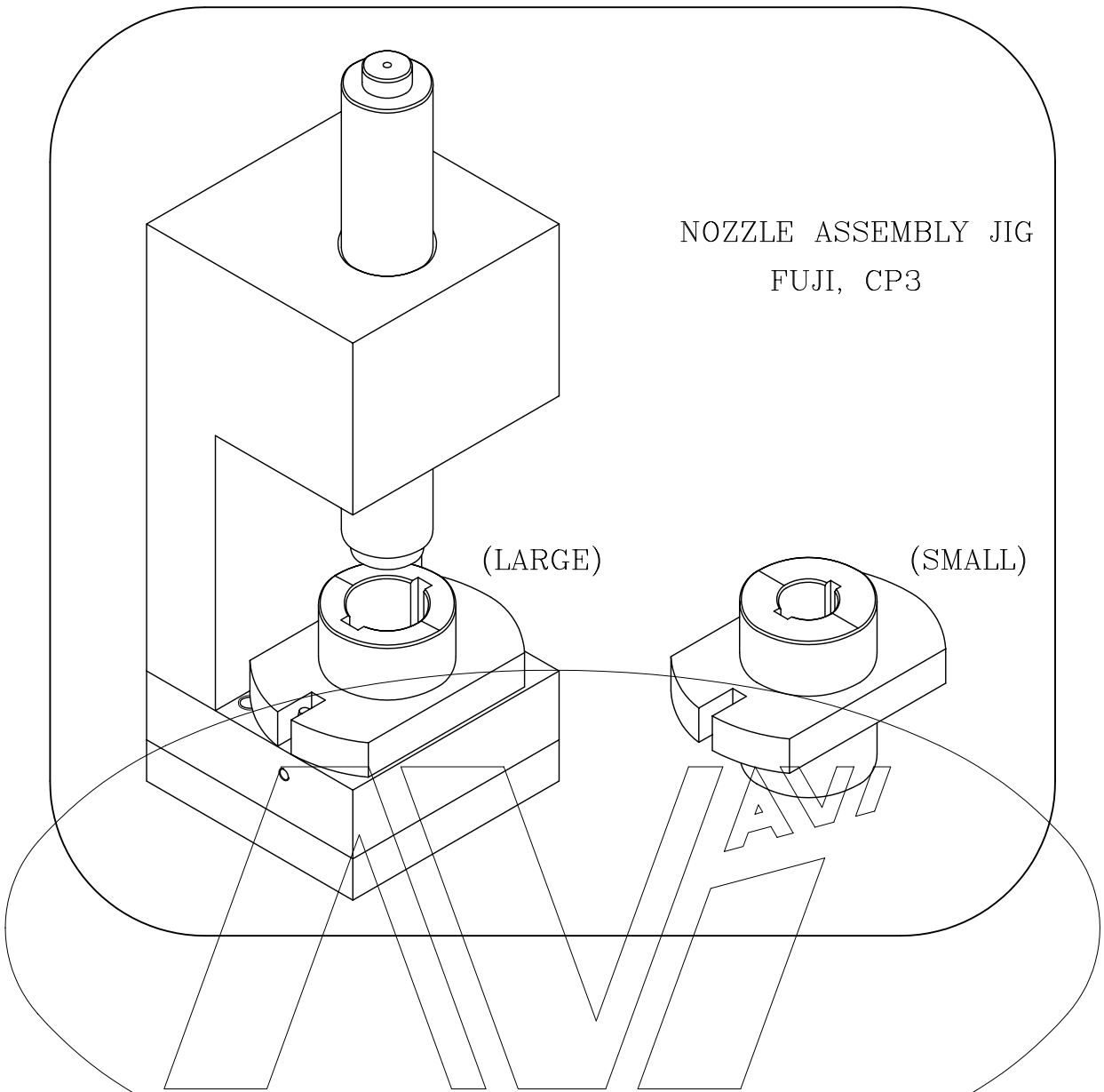


# FUJI CUTTER

(CP2, 3, 4, 6 & 7)

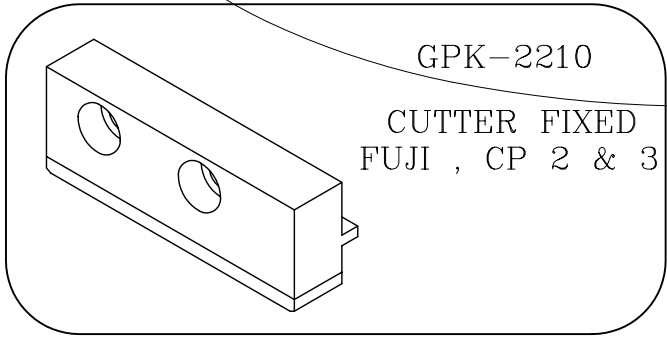




NOZZLE ASSEMBLY JIG  
FUJI, CP3

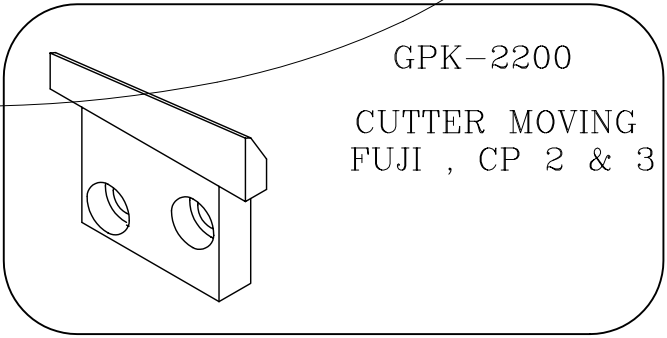
(LARGE)

(SMALL)



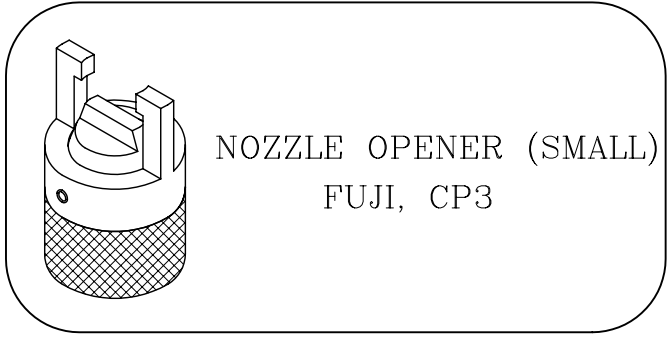
GPK-2210

CUTTER FIXED  
FUJI , CP 2 & 3

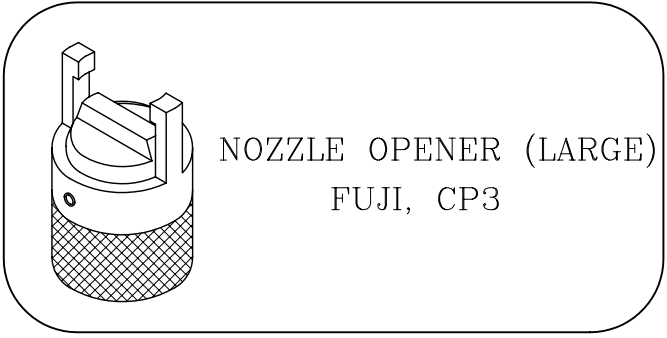


GPK-2200

CUTTER MOVING  
FUJI , CP 2 & 3

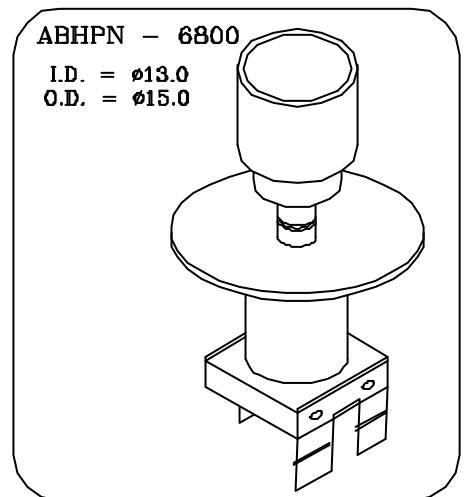
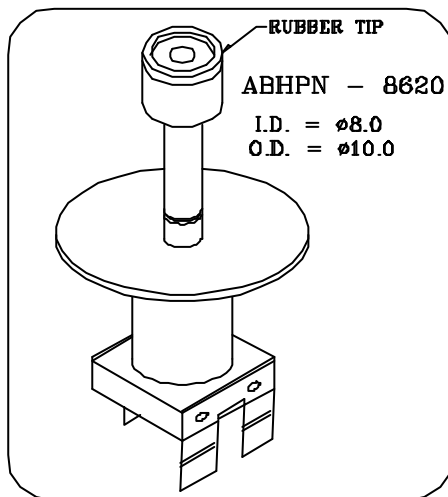
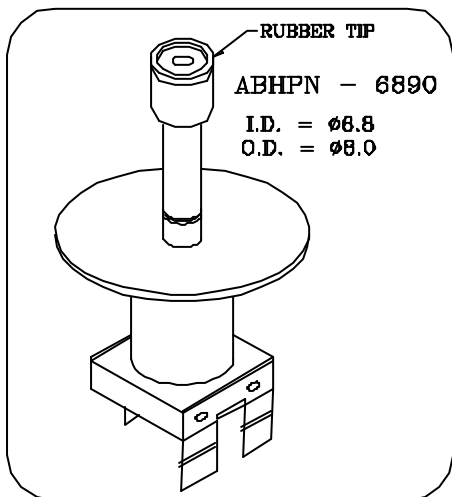
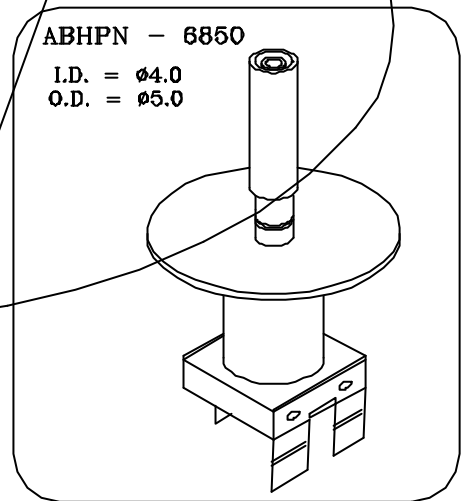
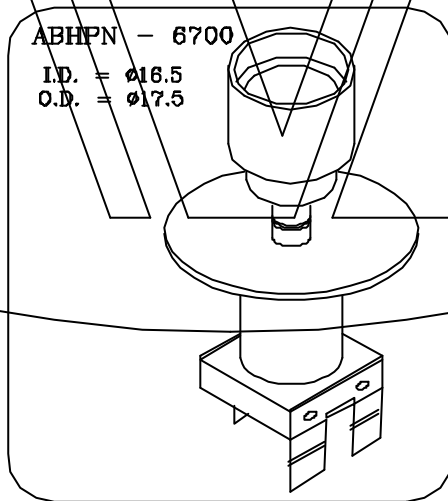
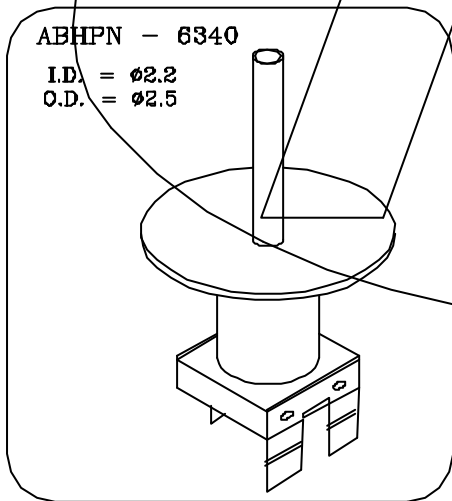
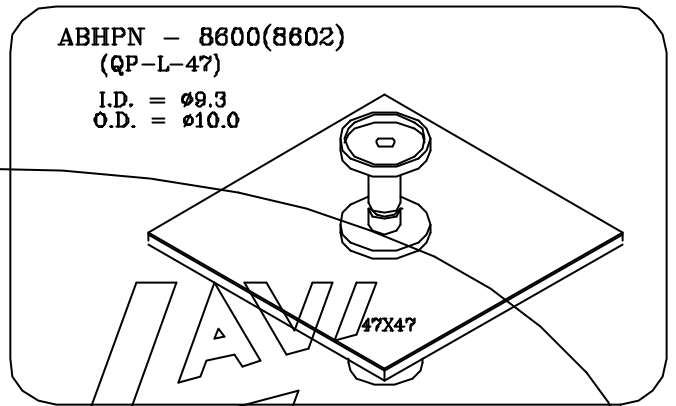
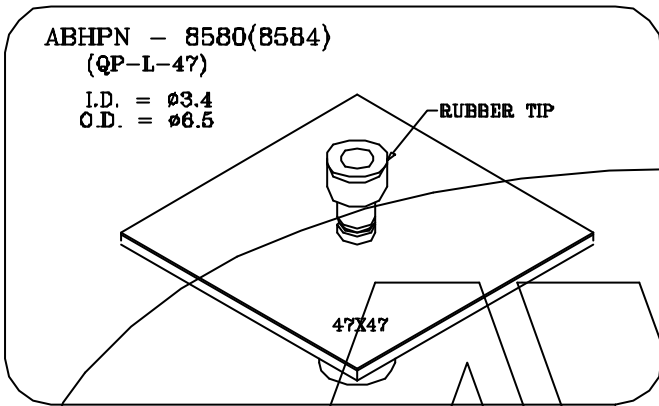
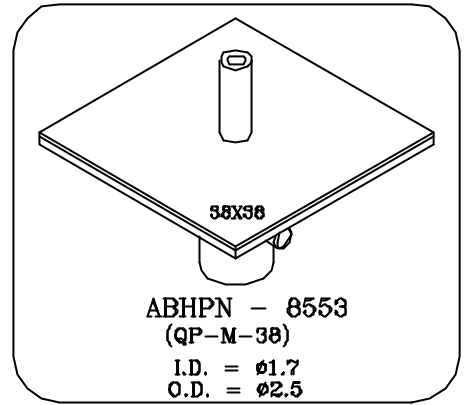
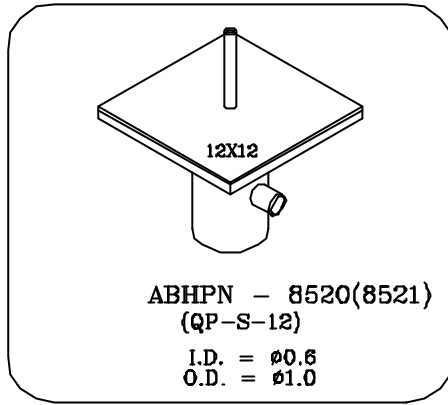
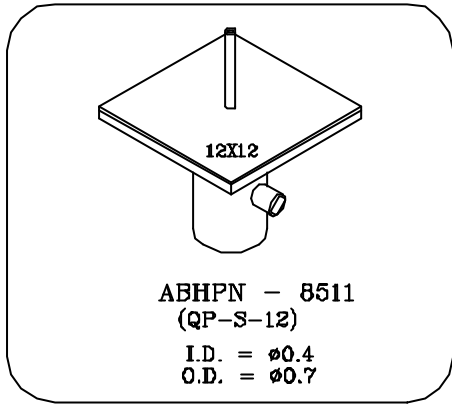


NOZZLE OPENER (SMALL)  
FUJI, CP3



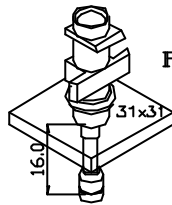
NOZZLE OPENER (LARGE)  
FUJI, CP3

# FUJI QP242 PICK UP NOZZLE





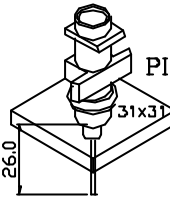
**AQNA-3118**  
**PICK-UP NOZZLE  $\phi 0.7$**   
 (OD=  $\phi 0.7$ )  
 FUJI , IP3



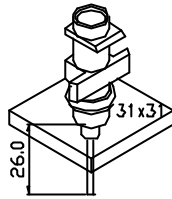
**AQNA-3218**  
**PICK-UP NOZZLE  $\phi 7.0$**   
 (OD=  $\phi 7.0$ )  
 FUJI , IP3



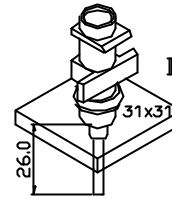
**AQNA-3218**  
**PICK-UP NOZZLE  $\phi 1.0$**   
 (OD=  $\phi 1.0$ )  
 FUJI , IP3



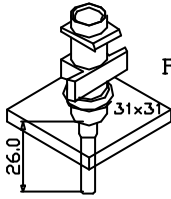
**AQNA-3137**  
**PICK-UP NOZZLE  $\phi 1.3$**   
 (OD=  $\phi 1.3$ )  
 FUJI , IP3



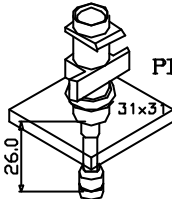
**AQNA-3147**  
**PICK-UP NOZZLE  $\phi 1.8$**   
 (OD=  $\phi 1.8$ )  
 FUJI , IP3



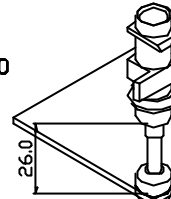
**AQNA-3157**  
**PICK-UP NOZZLE  $\phi 2.5$**   
 (OD=  $\phi 2.5$ )  
 FUJI , IP3



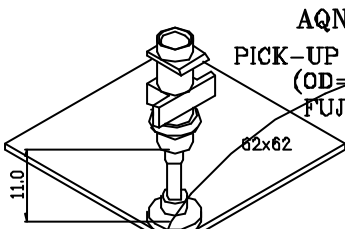
**AQNA-3167**  
**PICK-UP NOZZLE  $\phi 3.75$**   
 (OD=  $\phi 3.75$ )  
 FUJI , IP3



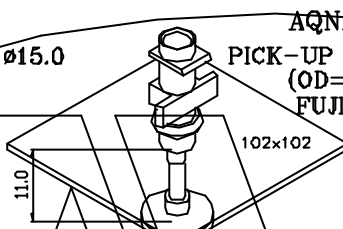
**AQNA-3178**  
**PICK-UP NOZZLE  $\phi 7.0$**   
 (OD=  $\phi 7.0$ )  
 FUJI , IP3



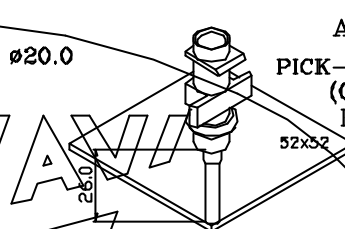
**AQNA-3188**  
**PICK-UP NOZZLE  $\phi 10.0$**   
 (OD=  $\phi 10.0$ )  
 FUJI , IP3



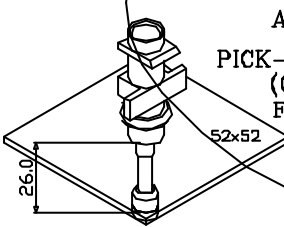
**AQNA-3278**  
**PICK-UP NOZZLE  $\phi 15.0$**   
 (OD=  $\phi 15.0$ )  
 FUJI , IP3



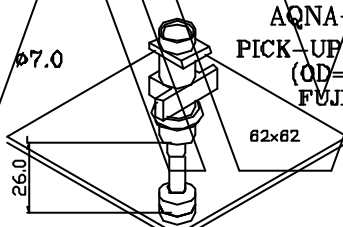
**AQNA-3289**  
**PICK-UP NOZZLE  $\phi 20.0$**   
 (OD=  $\phi 20.0$ )  
 FUJI , IP3



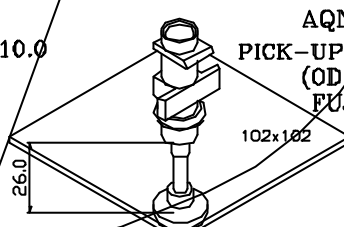
**AQNA-3293**  
**PICK-UP NOZZLE  $\phi 3.75$**   
 (OD=  $\phi 3.75$ )  
 FUJI , IP3



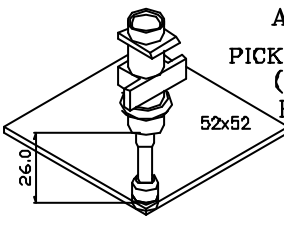
**AQNA-3302**  
**PICK-UP NOZZLE  $\phi 7.0$**   
 (OD=  $\phi 7.0$ )  
 FUJI , IP3



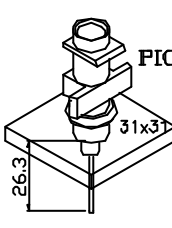
**AQNA-3312**  
**PICK-UP NOZZLE  $\phi 10.0$**   
 (OD=  $\phi 10.0$ )  
 FUJI , IP3



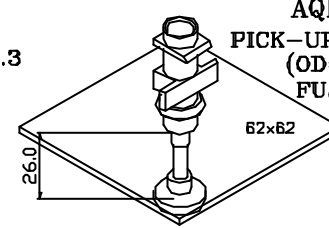
**AQNA-3322**  
**PICK-UP NOZZLE  $\phi 15.0$**   
 (OD=  $\phi 15.0$ )  
 FUJI , IP3



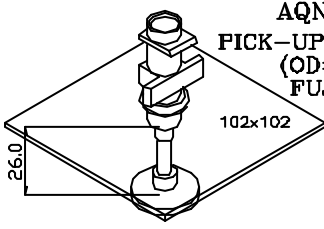
**AQNA-3332**  
**PICK-UP NOZZLE  $\phi 6.5$**   
 (OD=  $\phi 6.5$ )  
 FUJI , IP3



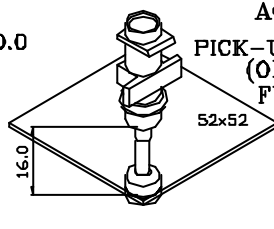
**AQNA-3340**  
**PICK-UP NOZZLE  $\phi 1.3$**   
 (OD=  $\phi 1.3$ )  
 FUJI , IP3



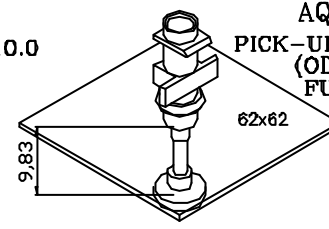
**AQNA-3198**  
**PICK-UP NOZZLE  $\phi 15.0$**   
 (OD=  $\phi 15.0$ )  
 FUJI , IP3



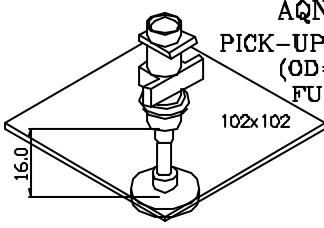
**AQNA-3209**  
**PICK-UP NOZZLE  $\phi 20.0$**   
 (OD=  $\phi 20.0$ )  
 FUJI , IP3



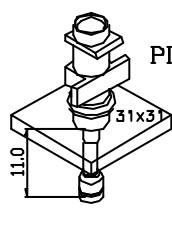
**AQNA-3228**  
**PICK-UP NOZZLE  $\phi 10.0$**   
 (OD=  $\phi 10.0$ )  
 FUJI , IP3



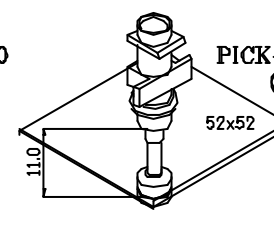
**AQNA-3238**  
**PICK-UP NOZZLE  $\phi 15.0$**   
 (OD=  $\phi 15.0$ )  
 FUJI , IP3



**AQNA-3249**  
**PICK-UP NOZZLE  $\phi 20.0$**   
 (OD=  $\phi 20.0$ )  
 FUJI , IP3



**AQNA-3258**  
**PICK-UP NOZZLE  $\phi 7.0$**   
 (OD=  $\phi 7.0$ )  
 FUJI , IP3

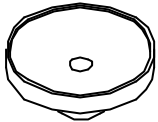


**AQNA-3268**  
**PICK-UP NOZZLE  $\phi 10.0$**   
 (OD=  $\phi 10.0$ )  
 FUJI , IP3

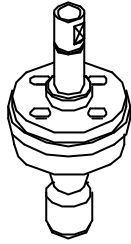
# FUJI, IP2



IPA-0015  
ADAPTOR  $\phi 15.0$



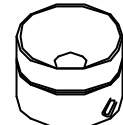
IPA-0020  
ADAPTOR  $\phi 20.0$



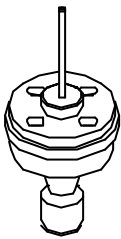
IPH-3400  
CHANGABLE NOZZLE  
(OD=  $\phi 4.0$ )  
FUJI, IP2



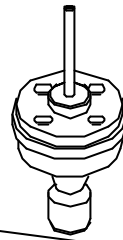
IPA-0007  
ADAPTOR  $\phi 7.0$



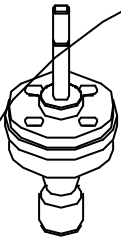
IPA-0010  
ADAPTOR  $\phi 10.0$



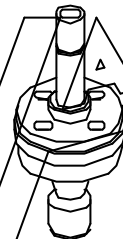
IPH-3431  
PICK-UP NOZZLE SS  
(OD=  $\phi 1.0$ )  
FUJI, IP2



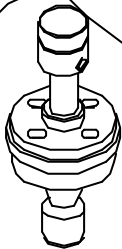
IPH-3421  
PICK-UP NOZZLE S  
(OD=  $\phi 1.3$ )  
FUJI, IP2



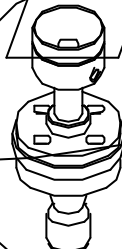
IPH-3411  
PICK-UP NOZZLE M  
(OD=  $\phi 2.5$ )  
FUJI, IP2



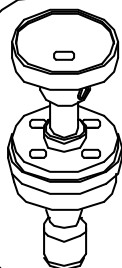
IPH-3401  
PICK-UP NOZZLE L  
(OD=  $\phi 4.0$ )  
FUJI, IP2



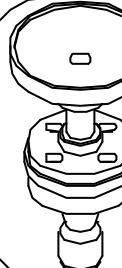
IPH-4511  
PICK-UP NOZZLE  $\phi 7$ -LL  
(OD=  $\phi 7.0$ )  
FUJI, IP2



IPH-4520  
PICK-UP NOZZLE  $\phi 10$ -LL  
(OD=  $\phi 10.0$ )  
FUJI, IP2



IPH-4531  
PICK-UP NOZZLE  $\phi 15$ -LL  
(OD=  $\phi 15.0$ )  
FUJI, IP2



IPH-4541  
PICK-UP NOZZLE  $\phi 20$ -LL  
(OD=  $\phi 20.0$ )  
FUJI, IP2



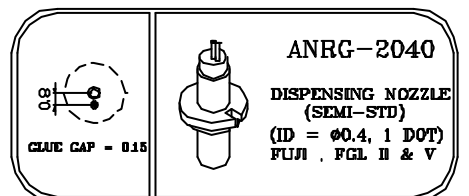
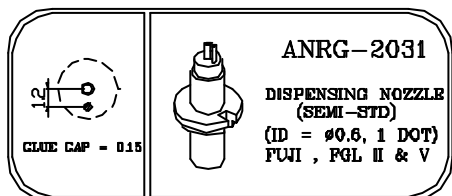
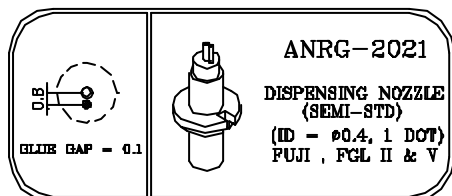
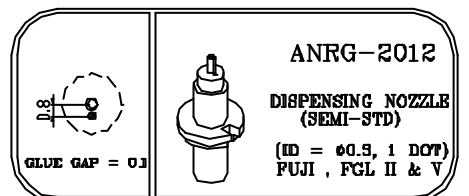
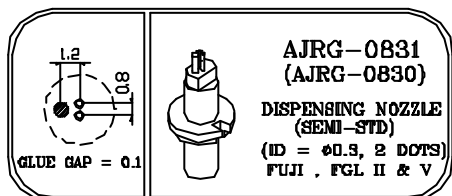
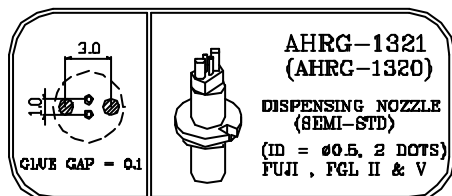
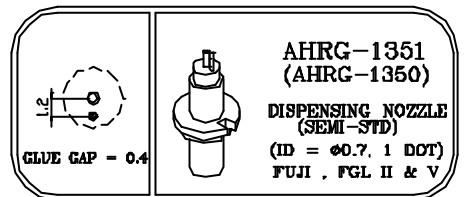
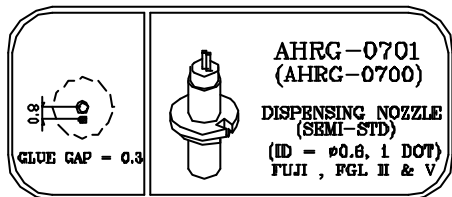
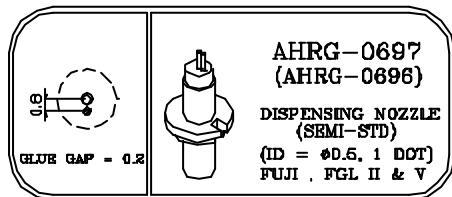
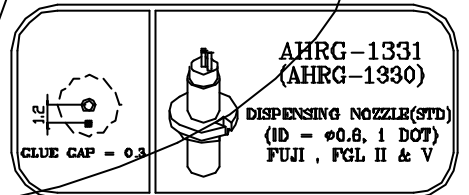
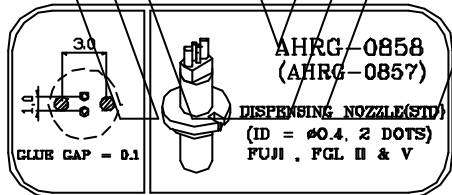
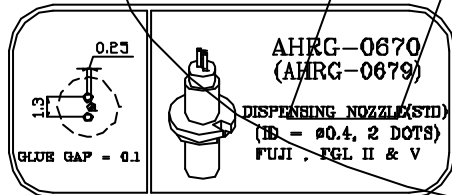
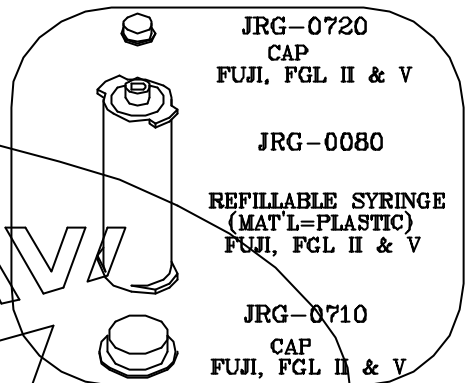
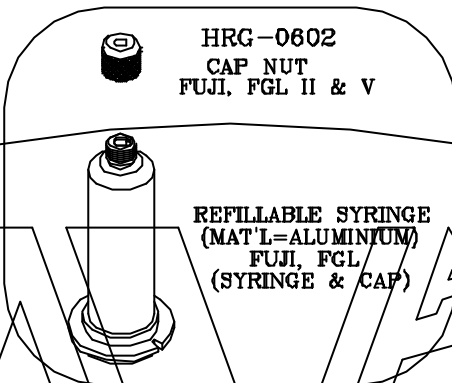
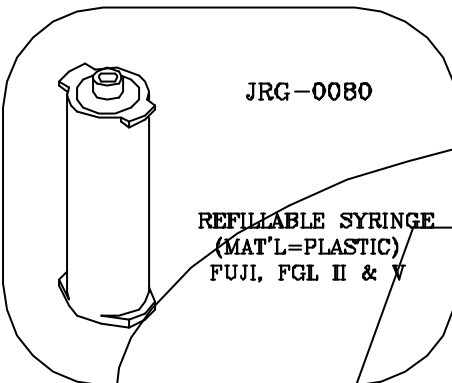
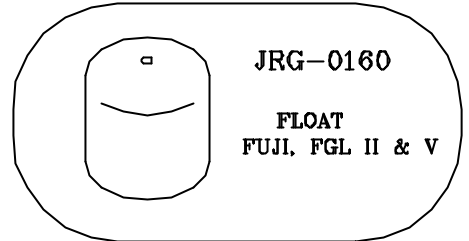
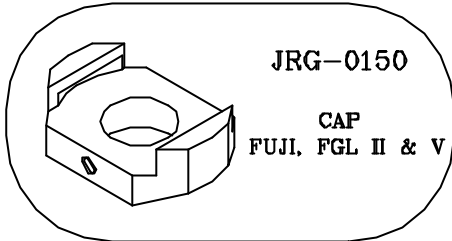
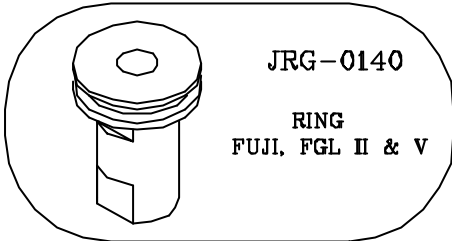
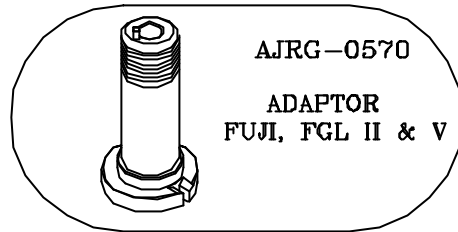
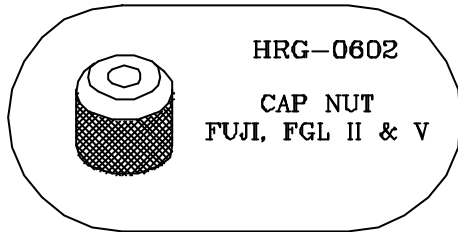
AKPH-2031  
FIXED NOZZLE M  
(OD=  $\phi 2.5$ )  
FUJI, IP2



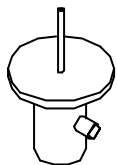
AKPH-2041  
FIXED NOZZLE S  
(OD=  $\phi 1.3$ )  
FUJI, IP2



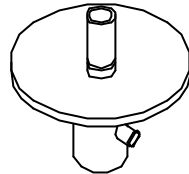
AKPH-2051  
FIXED NOZZLE SS  
(OD=  $\phi 1.0$ )  
FUJI, IP2



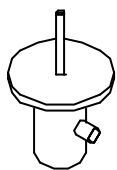
# FUJI CP7 PICK UP NOZZLE



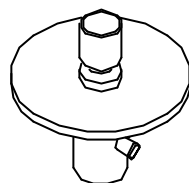
ADCPH-9510  
PICK-UP NOZZLE  $\phi 0.4-8$   
FUJI, CP7



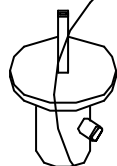
ADCPH-9560  
PICK-UP NOZZLE  $\phi 2.5-16$   
FUJI, CP7



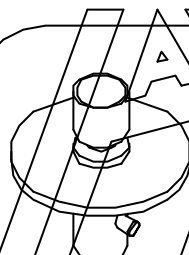
ADCPH-9520  
PICK-UP NOZZLE  $\phi 0.7-8$   
FUJI, CP7



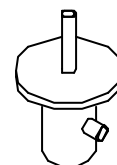
ADCPH-9570  
PICK-UP NOZZLE  $\phi 3.7-16$   
FUJI, CP7



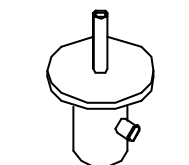
ADCPH-9530  
PICK-UP NOZZLE  $\phi 1.0-8$   
FUJI, CP7



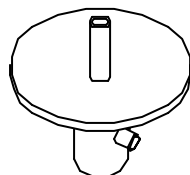
ADCPH-9580  
PICK-UP NOZZLE  $\phi 5.0-16$   
FUJI, CP7



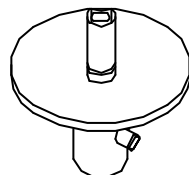
ADCPH-9540  
PICK-UP NOZZLE  $\phi 1.3-8$   
FUJI, CP7



ADCPH-9700  
(MELF)  
PICK-UP NOZZLE  $\phi 1.3-8$   
FUJI, CP7

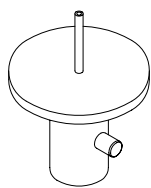


ADCPH-9550  
PICK-UP NOZZLE  $\phi 1.8-16$   
FUJI, CP7



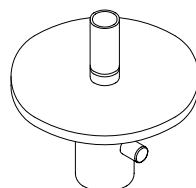
ADCPH-9710  
(MELF)  
PICK-UP NOZZLE  $\phi 2.5-16$   
FUJI, CP7

# FUJI CP6 PICK UP NOZZLE



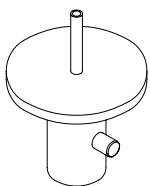
AWPH-9510

PICK-UP NOZZLE  $\phi 0.7-12$   
FUJI, CP6



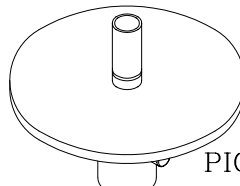
AWPH-9560

PICK-UP NOZZLE  $\phi 2.5-16$   
FUJI, CP6



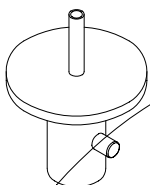
AWPH-9520

PICK-UP NOZZLE  $\phi 1.0-12$   
FUJI, CP6



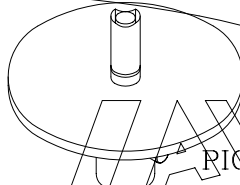
AWPH-9580

PICK-UP NOZZLE  $\phi 2.5-20$   
FUJI, CP6



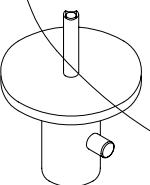
AWPH-9530

PICK-UP NOZZLE  $\phi 1.3-12$   
FUJI, CP6



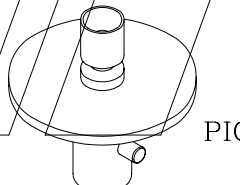
AWPH-9591  
(MELF)

PICK-UP NOZZLE  $\phi 2.5-20$   
FUJI, CP6



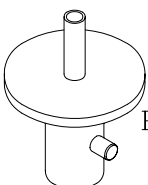
AWPH-9541  
(MELF)

PICK-UP NOZZLE  $\phi 1.3-12$   
FUJI, CP6



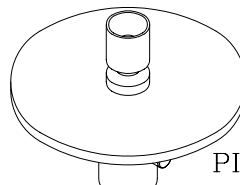
AWPH-9570

PICK-UP NOZZLE  $\phi 3.7-16$   
FUJI, CP6



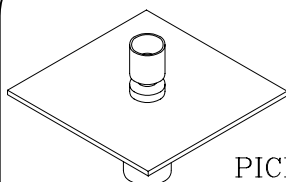
AWPH-9550

PICK-UP NOZZLE  $\phi 1.8-12$   
FUJI, CP6



AWPH-9600

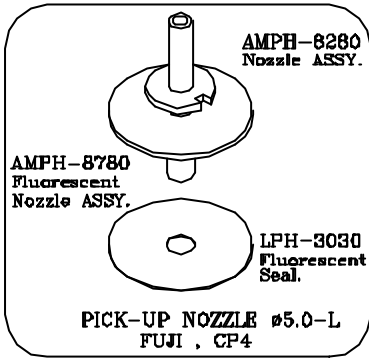
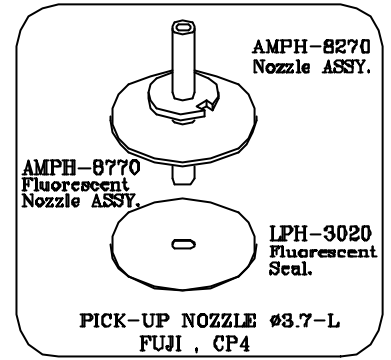
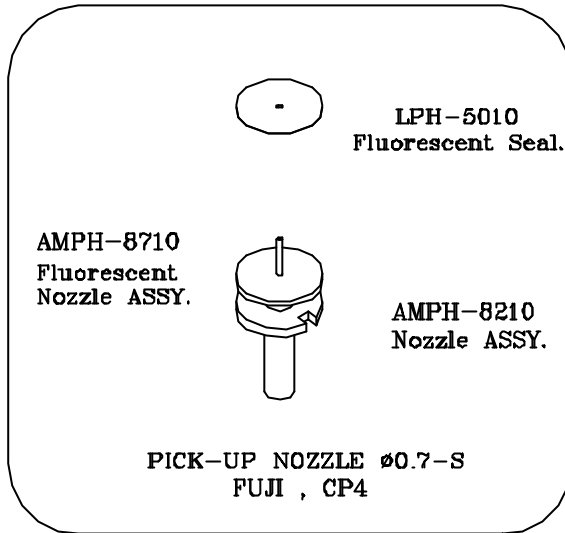
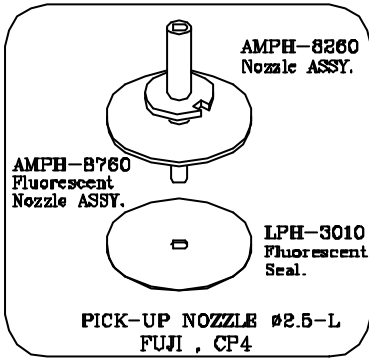
PICK-UP NOZZLE  $\phi 3.7-20$   
FUJI, CP6



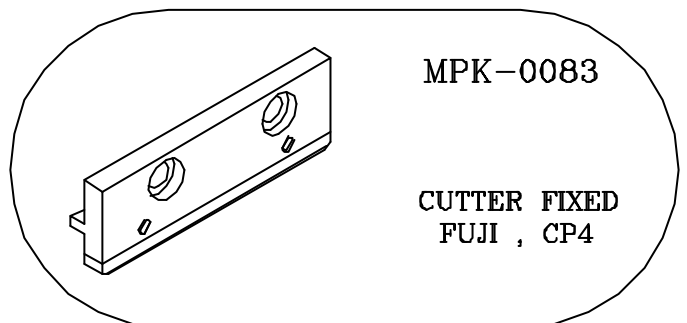
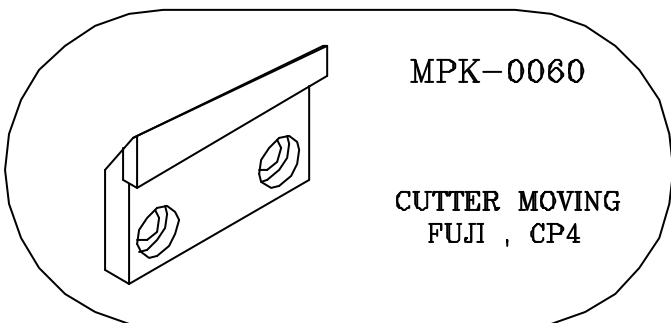
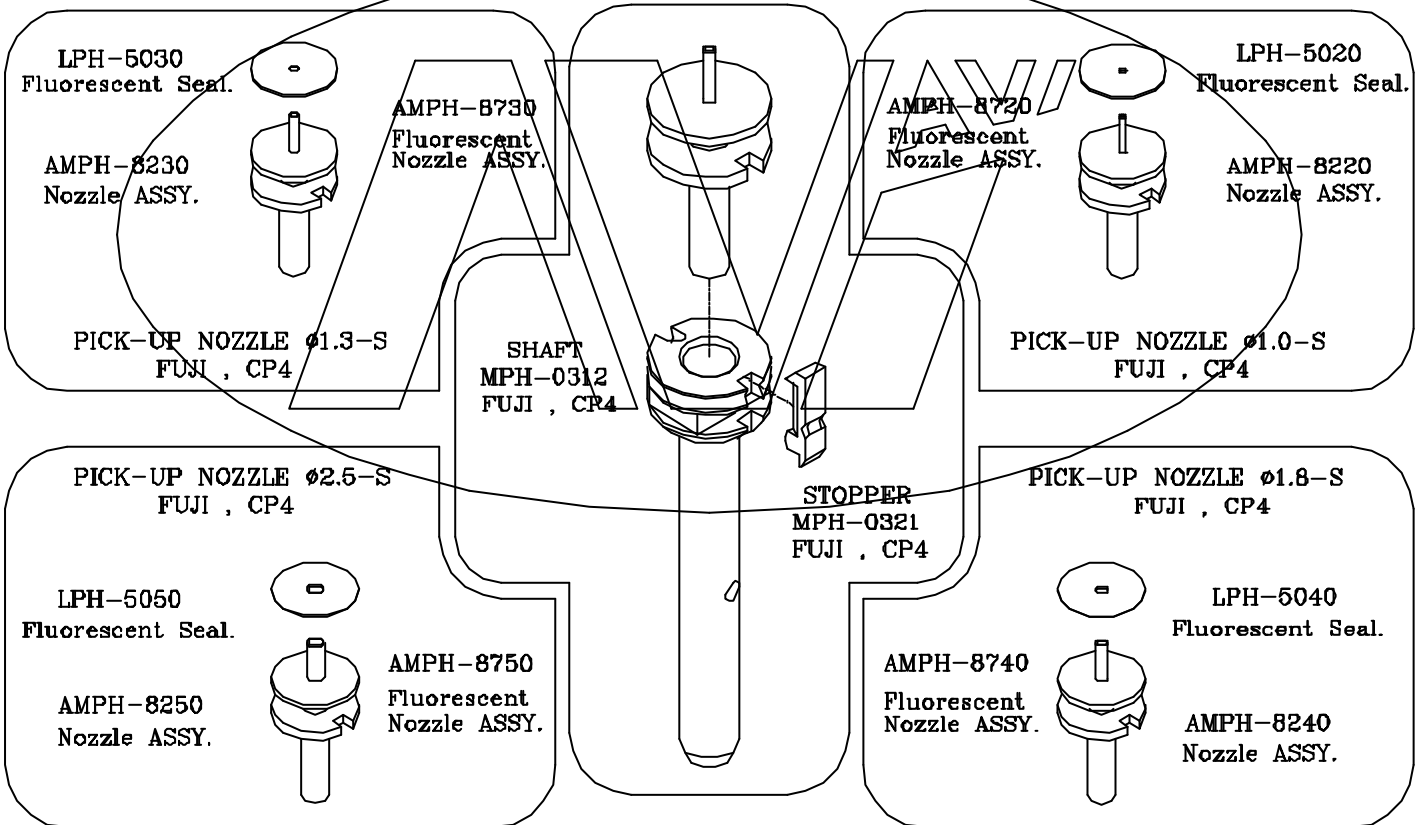
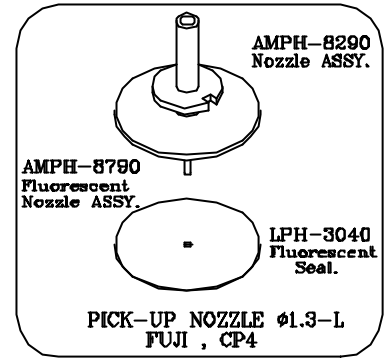
AWPH-9610

PICK-UP NOZZLE  $\phi 5-20$   
FUJI, CP6

# FUJI, CP4

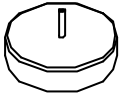


**\*ORDERS FOR FLUORESCENT SEAL ONLY\***  
**MINIMUM QTY IS 100 EACH.**



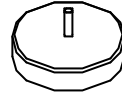
# FUJI CP3 PICK UP NOZZLE

AGPH-9560



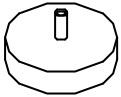
PICK-UP NOZZLE  $\phi 0.7-S$   
FUJI, CP3

AGPH-9410



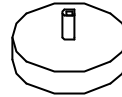
PICK-UP NOZZLE  $\phi 1.0-S$   
FUJI, CP3

AGPH-9130



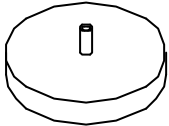
PICK-UP NOZZLE  $\phi 1.3-S$   
FUJI, CP3

AGPH-9050



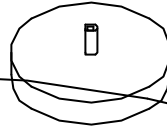
PICK-UP NOZZLE  $\phi 1.3-S$   
(MELF)  
FUJI, CP3

AGPH-9470



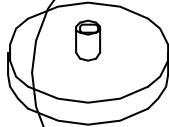
PICK-UP NOZZLE  $\phi 1.3-L$   
FUJI, CP3

AGPH-9460



PICK-UP NOZZLE  $\phi 1.3-L$   
(MELF)  
FUJI, CP3

AGPH-9060



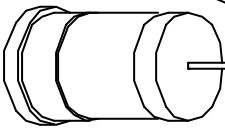
PICK-UP NOZZLE  $\phi 2.5-L$   
FUJI, CP3

AGPH-9430



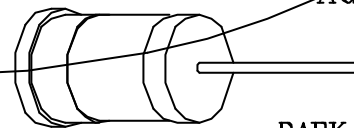
PICK-UP NOZZLE  $\phi 3.4-L$   
FUJI, CP3

AGPH-9570



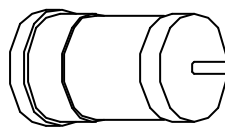
DARK POINT  $\phi 0.7-S$   
FUJI, CP3

AGPH-9550



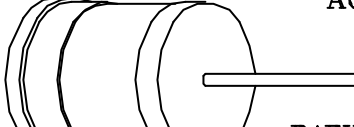
DARK POINT  $\phi 1.0-S$   
FUJI, CP3

AGPH-9190



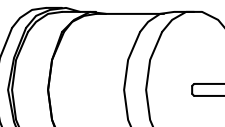
DARK POINT  $\phi 1.3-S$   
FUJI, CP3

AGPH-9480



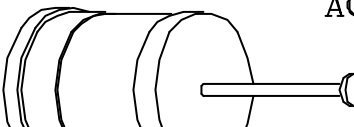
DARK POINT  $\phi 1.3-L$   
FUJI, CP3

AGPH-9200



DARK POINT  $\phi 2.5-L$   
FUJI, CP3

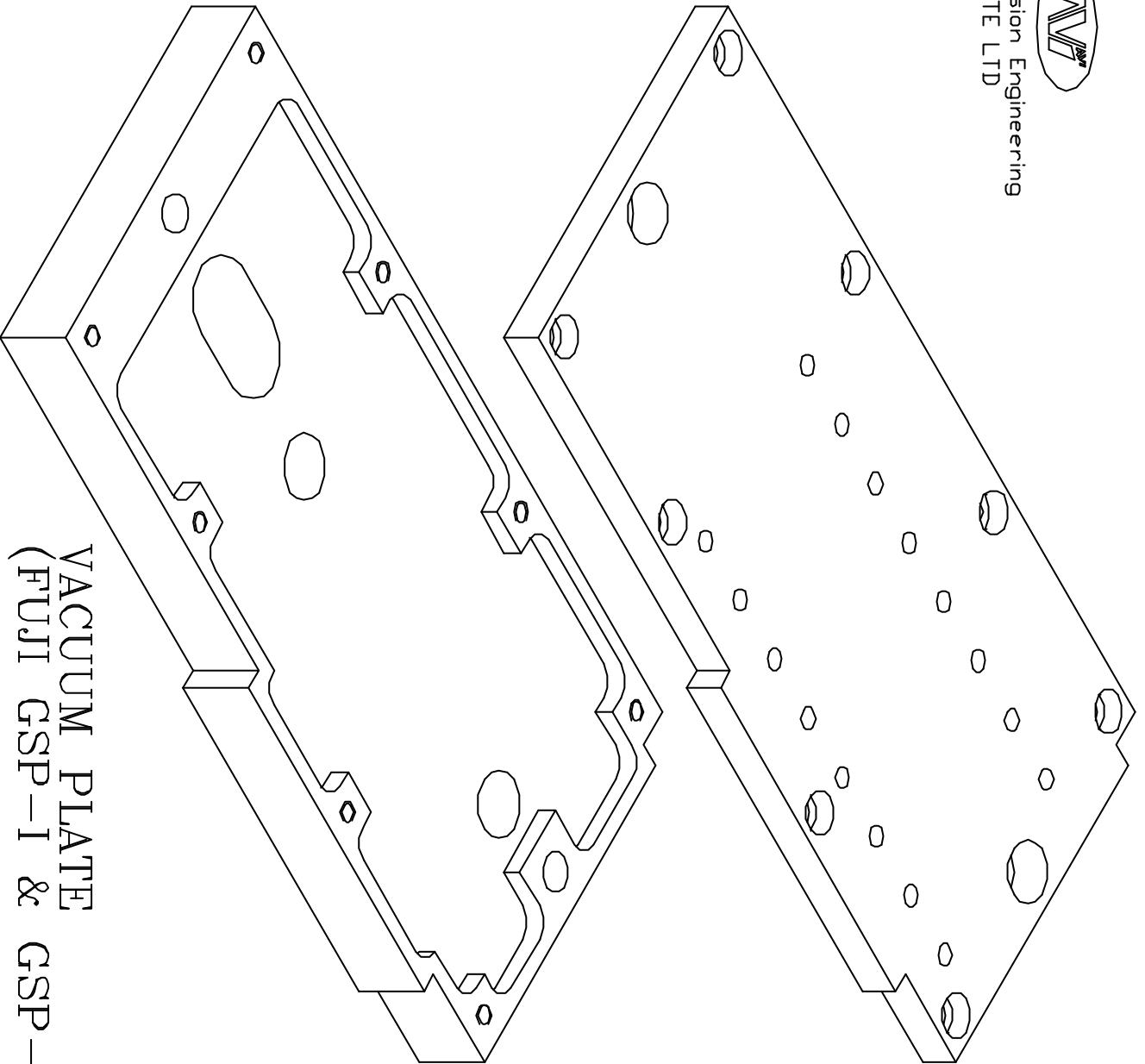
AGPH-9440



DARK POINT  $\phi 3.4-L$   
FUJI, CP3



AVI Precision Engineering  
PTE LTD



VACUUM PLATE  
(FUJI GSP-I & GSP-II 4000)