

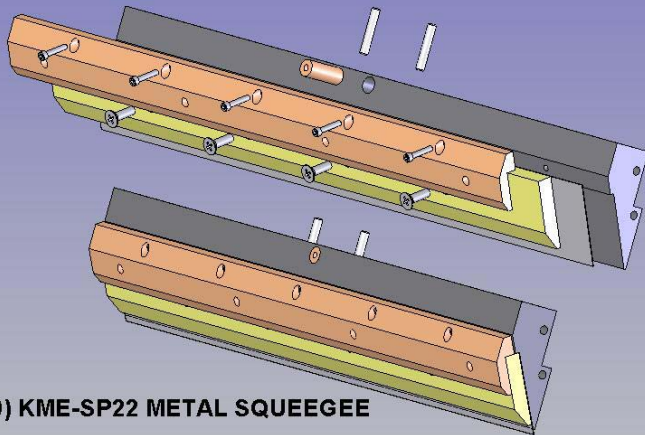


**AVI PRECISION ENGINEERING PTE LTD**

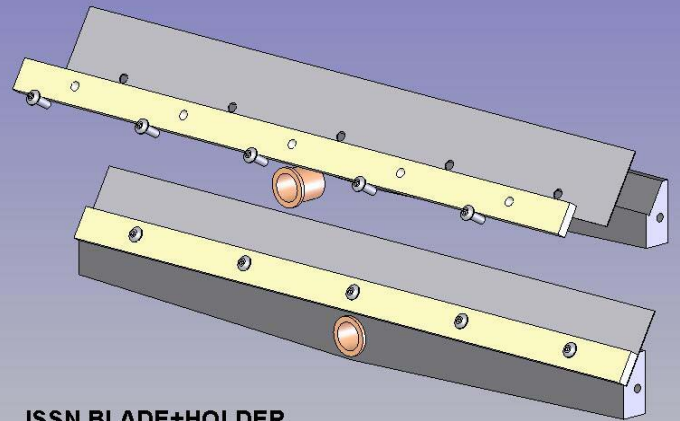
1, KALLANG SECTOR #04-03, SINGAPORE 349276

TEL: (65) 67483866, FAX: (65) 67484810

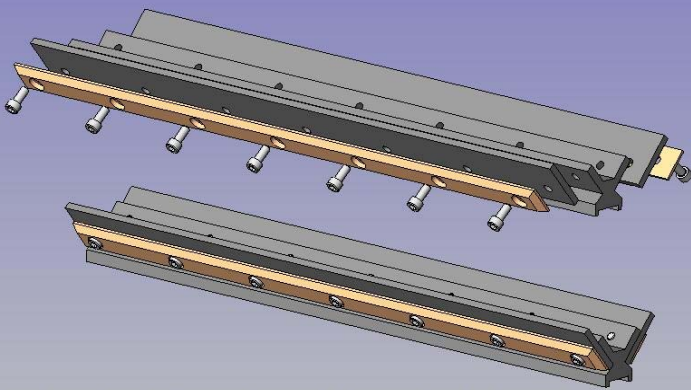
Email: [avipre@avipre.com.sg](mailto:avipre@avipre.com.sg), Website: [www.avipre.com](http://www.avipre.com)



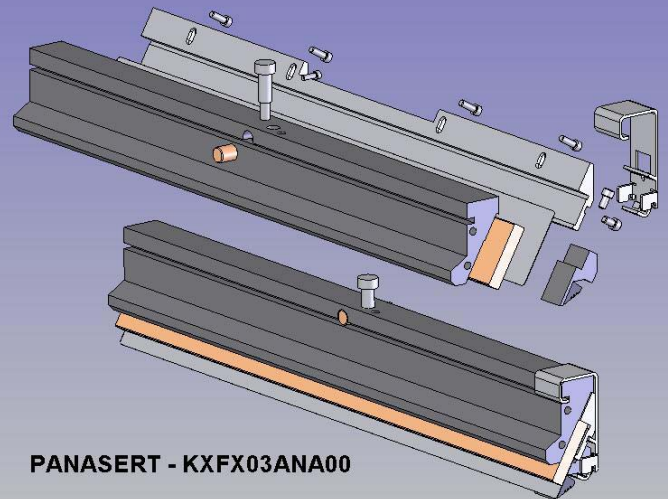
**(10) KME-SP22 METAL SQUEEGEE**



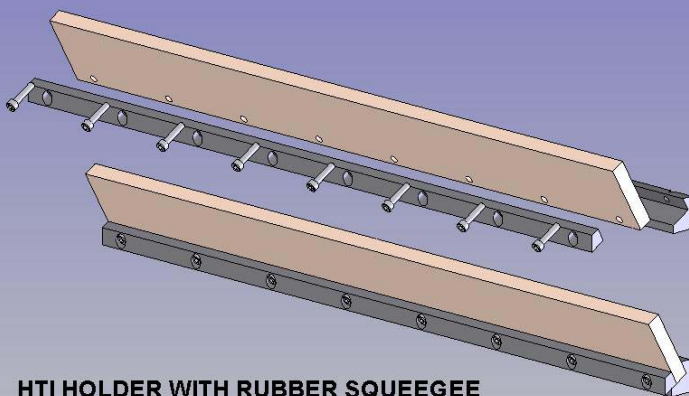
**ISSN BLADE+HOLDER**



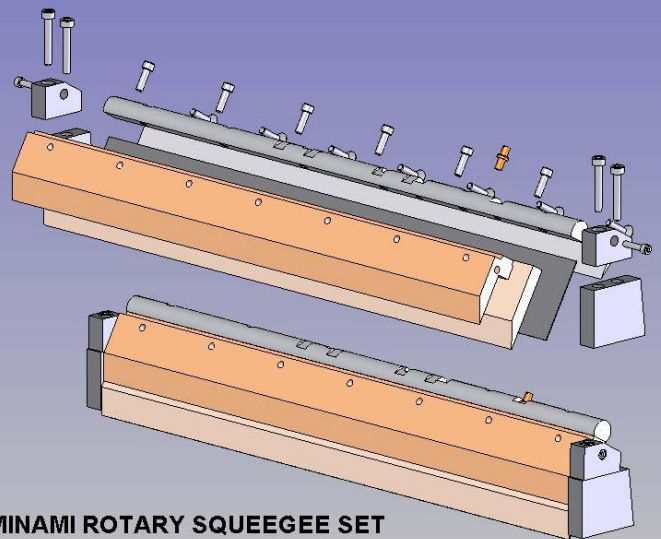
**(11) DEK-249 HOLDER WITH RUBBER SQUEEGEE**



**PANASERT - KXFX03ANA00**



**HTI HOLDER WITH RUBBER SQUEEGEE**



**MINAMI ROTARY SQUEEGEE SET**

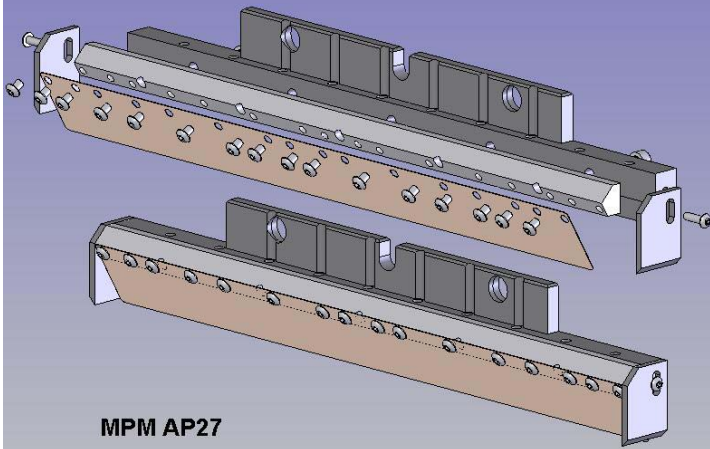


**AVI PRECISION ENGINEERING PTE LTD**

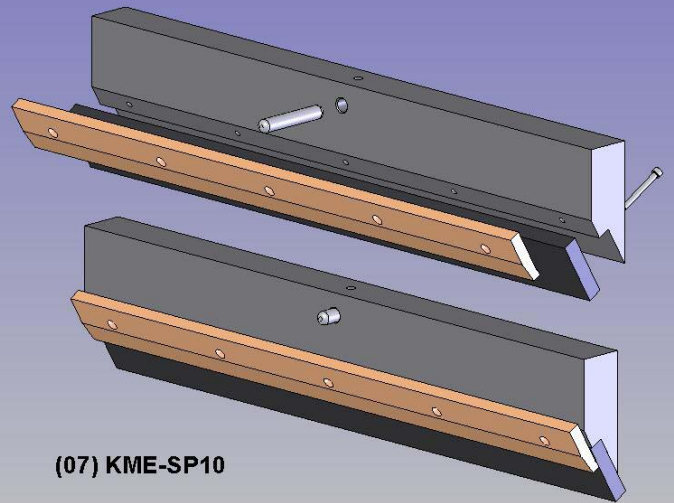
1, KALLANG SECTOR #04-03, SINGAPORE 349276

TEL: (65) 67483866, FAX: (65) 67484810

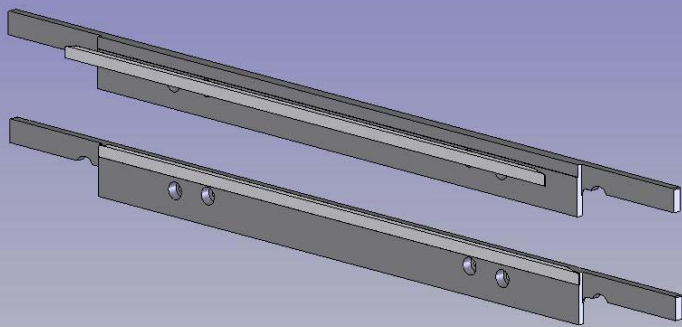
Email: [avipre@avipre.com.sg](mailto:avipre@avipre.com.sg), Website: [www.avipre.com](http://www.avipre.com)



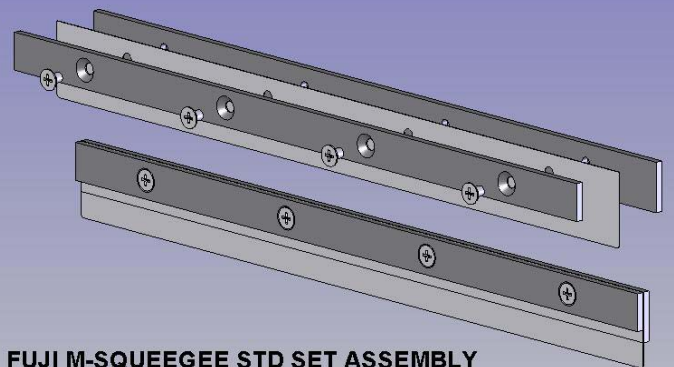
**MPM AP27**



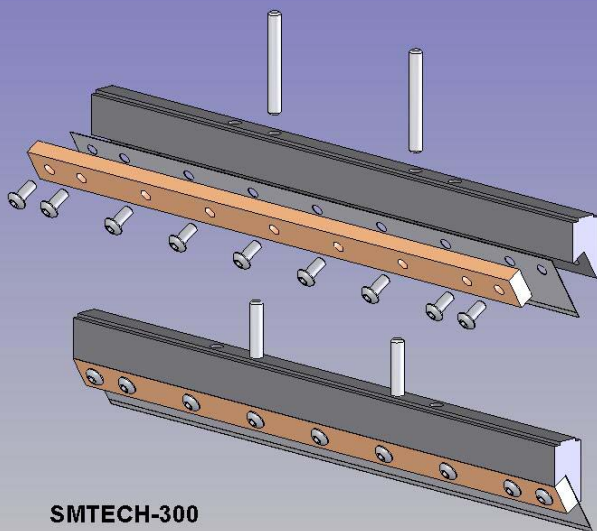
**(07) KME-SP10**



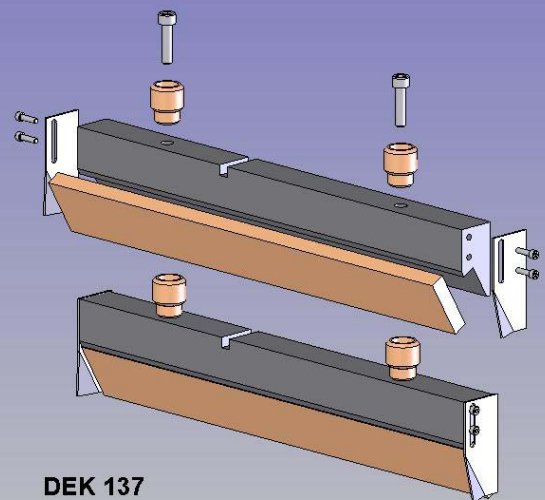
**QUICK FIX BOARD CLAMP(NEW TYPE)**



**FUJI M-SQUEEGEE STD SET ASSEMBLY**



**SMTECH-300**



**DEK 137**

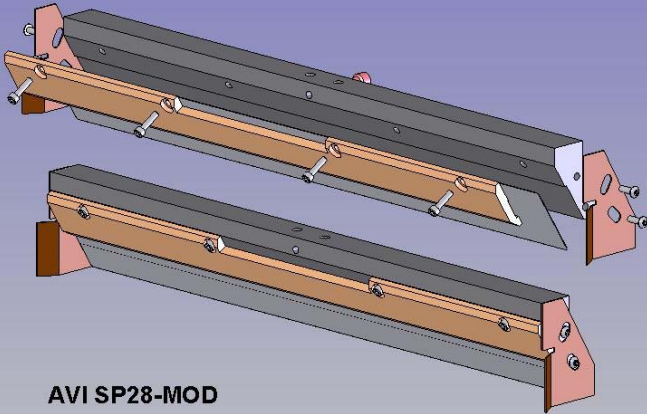


**AVI PRECISION ENGINEERING PTE LTD**

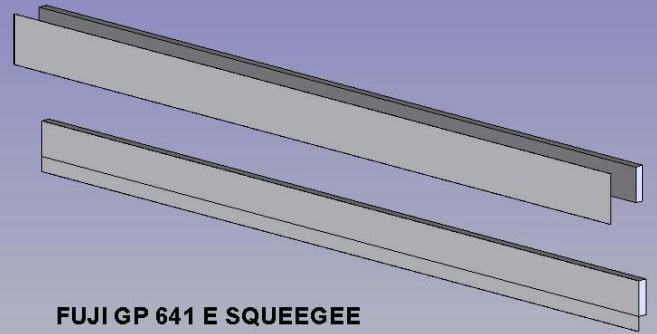
1, KALLANG SECTOR #04-03, SINGAPORE 349276

TEL: (65) 67483866, FAX: (65) 67484810

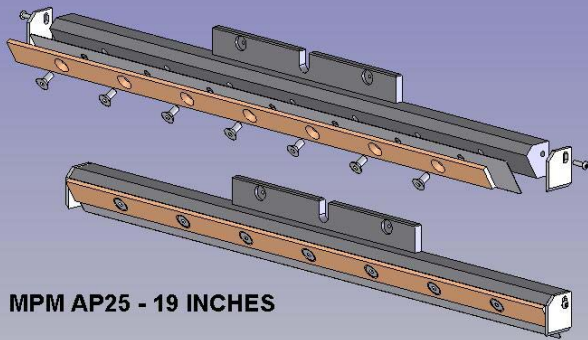
Email: [avipre@avipre.com.sg](mailto:avipre@avipre.com.sg), Website: [www.avipre.com](http://www.avipre.com)



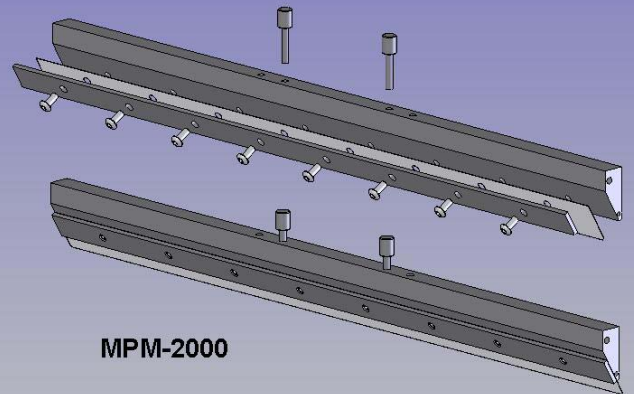
**AVI SP28-MOD**



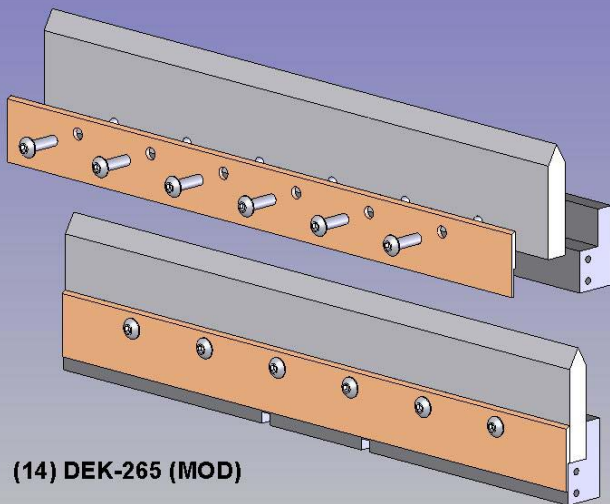
**FUJI GP 641 E SQUEEGEE**



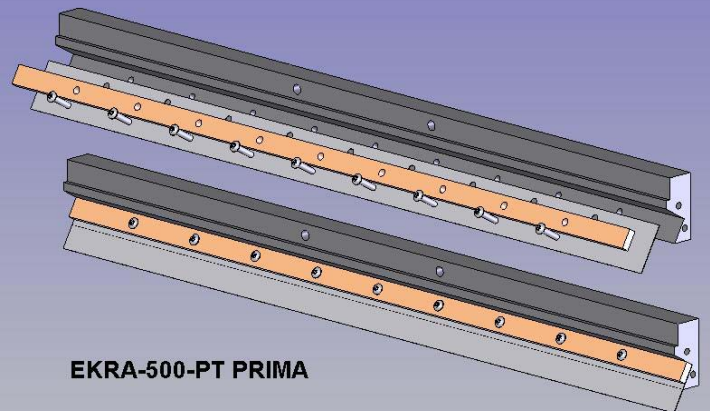
**MPM AP25 - 19 INCHES**



**MPM-2000**



**(14) DEK-265 (MOD)**



**EKRA-500-PT PRIMA**

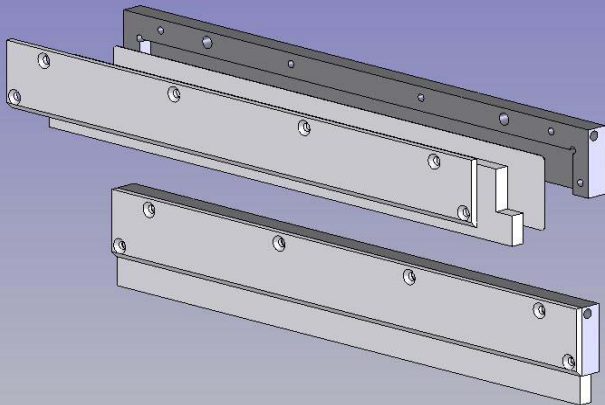


**AVI PRECISION ENGINEERING PTE LTD**

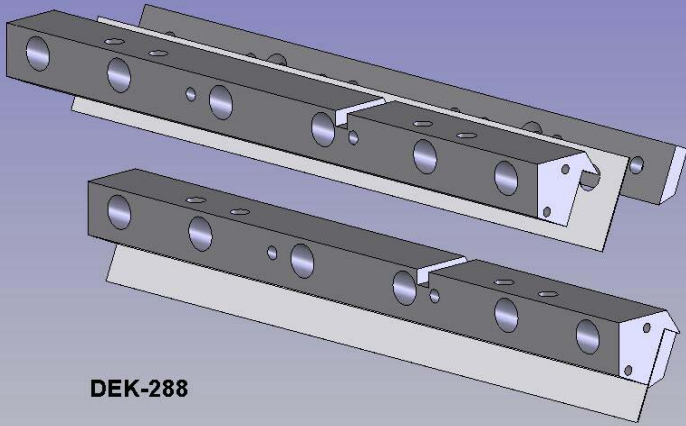
1, KALLANG SECTOR #04-03, SINGAPORE 349276

TEL: (65) 67483866, FAX: (65) 67484810

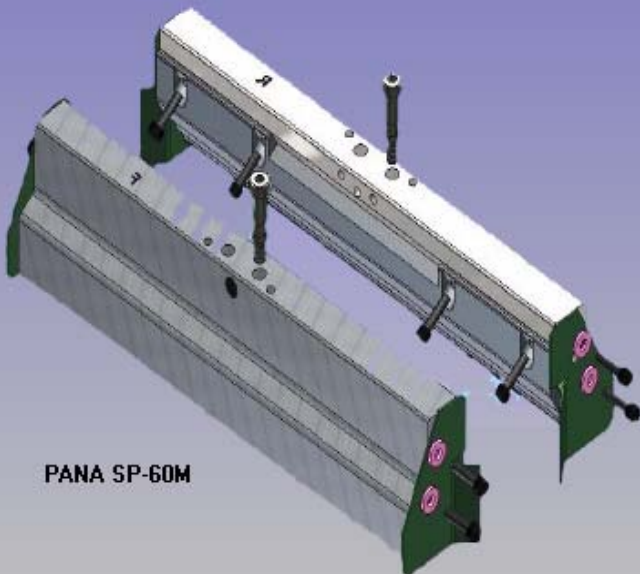
Email: [avipre@avipre.com.sg](mailto:avipre@avipre.com.sg), Website: [www.avipre.com](http://www.avipre.com)



**MINAMI METAL & PU SQUEEGEE SET W-HOLDER - MK880SV**



**DEK-288**



**PANA SP-60M**